

# PIVOTING TUB DRAIN

Cat. No.  
5599PD



## Features:

- ▶ Brass construction
- ▶ Swivel head adjusts to slope of tub
- ▶ Lift and turn drain cover
- ▶ Open daisy wheel drain cover
- ▶ Optional push button drain cover for overflow hole allows for a deeper fill
- ▶ Drain cover overflow passes through tub wall to prevent leakage in double walled tubs
- ▶ For use with tubs up to 3-1/2" thick at overflow
- ▶ Available in 7 finishes

## Finishes:

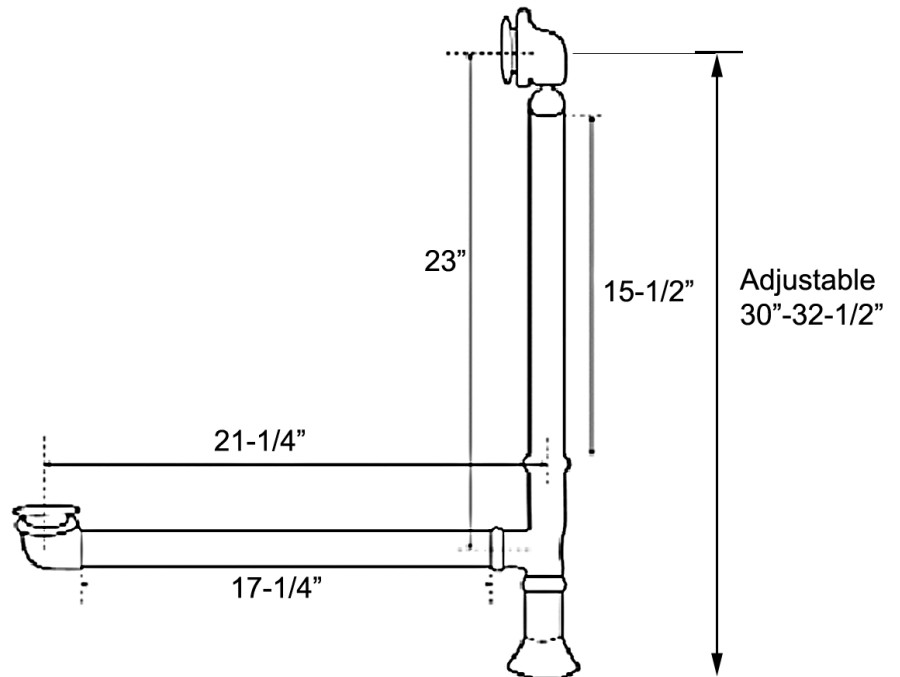
<b>PB</b>	Polished Brass	<b>CP</b>	Polished Chrome
<b>BN</b>	Brushed Nickel	<b>PN</b>	Polished Nickel
<b>ORB</b>	Oil Rubbed Bronze	<b>WH</b>	White
<b>MB</b>	Matte Black		



Daisy Wheel Cover



Push Button Cover



Dimensions and specifications subject to change without notice.